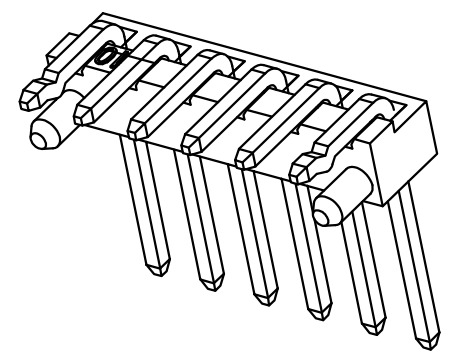
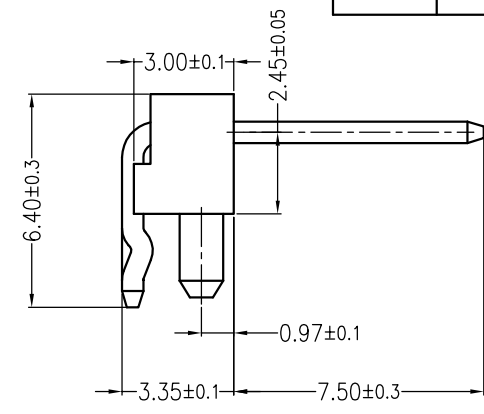
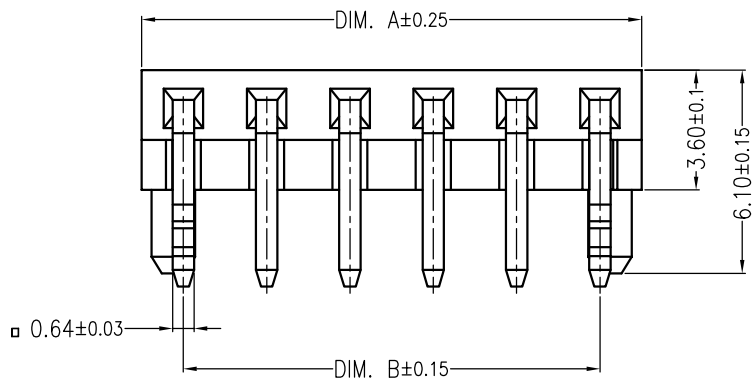
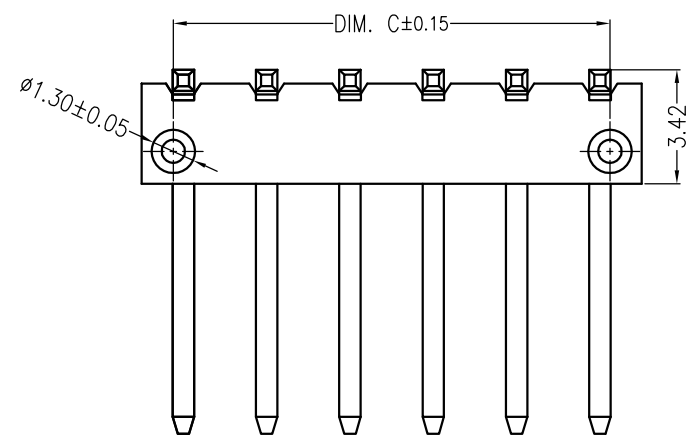


REV	DESCRIPTION	DESIGN	DATE
A0	Release	吴丹平	2016.05.03



### 主要技术参数 Main Specifications

- 接触电阻 (Contact resistance):  $\leq 20m\Omega$
- 绝缘电阻 (Insulation resistance):  $\geq 1000M\Omega$
- 额定电压 (Rated voltage): 125V AC DC
- 额定电流 (Rated current): 1.0A AC DC
- 耐电压 (Withstand Voltage): 1000V AC/minute
- 温度范围 (Temperature Range):  $-40^{\circ}C \sim +130^{\circ}C$

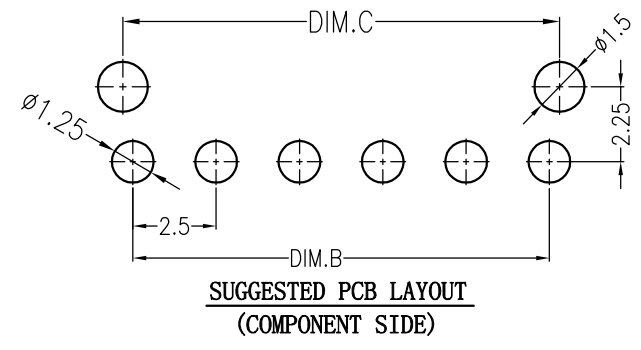


Circuit	Dimensions (mm)		
	DIM. A	DIM. B	DIM. C
02	5.00	2.50	3.10
03	7.50	5.00	5.60
04	10.00	7.50	8.10
05	12.50	10.00	10.60
06	15.00	12.50	13.10

### ORDER INFORMATION:

**L017A-\*\*-F2MA-P-A**

PART No.:		SPECIAL CODE:	
No. FOR CIRCUITS:		A=针外露7.5	
02~06		PACKAGING:	P=PE
PLASTIC MATERIAL:		PLATING:	A=Sn
F2M=LCP (BEIGE)			



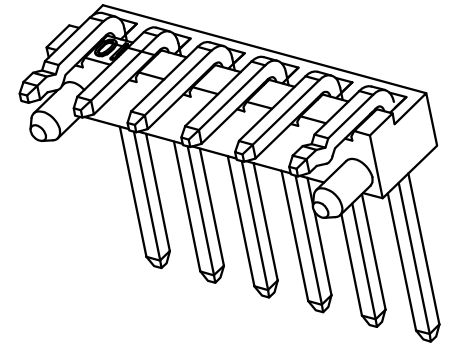
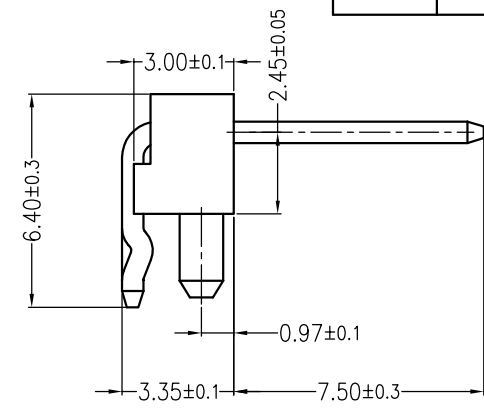
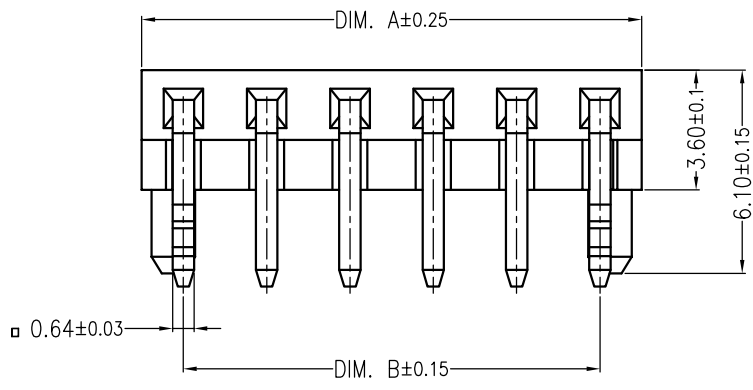
ITEM	COMPONENT	Q'TY	MATERIAL	FINISH
C				
B	CONTACT	6 PCS	Brass	Sn-plated
A	PEDESTAL	1 PCS	LCP	UL 94V-0, COLOR:BEIGE

**东莞市高迪电子有限公司**  
DONG GUAN GAO DI ELECTRONICS CO., LTD

TITLE: -  
2.5mmPITCH 90°WAFER SMT TYPE

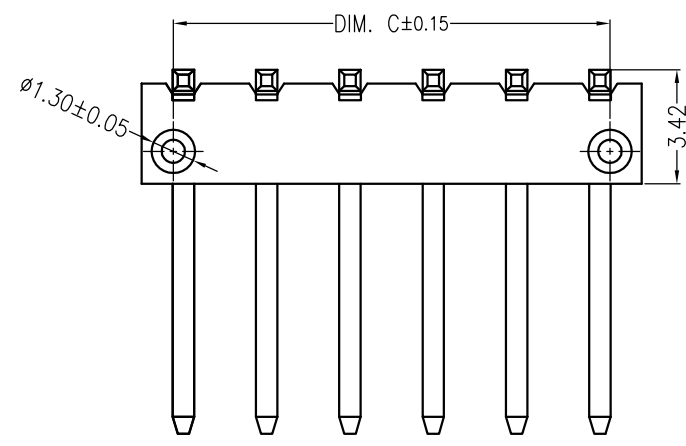
X.±0.5	X.±5'	USE: CUSTOMER	PART NO.: L017A-**-F2MA-P-A
.X±0.3	.X±2'		
.XX±0.25	.XX±1'	CHKD: 田峰	DWG NO.: GCCP-0033
--	--	DR: 吴丹平	SCALE 1 : 1
UNITS: mm			SHEET 1 / 1

REV	DESCRIPTION	DESIGN	DATE
A0	Release	吴丹平	2016.05.03



### 主要技术参数 Main Specifications

- 接触电阻 (Contact resistance):  $\leq 20m\Omega$
- 绝缘电阻 (Insulation resistance):  $\geq 1000M\Omega$
- 额定电压 (Rated voltage): 125V AC DC
- 额定电流 (Rated current): 1.0A AC DC
- 耐电压 (Withstand Voltage): 1000V AC/minute
- 温度范围 (Temperature Range):  $-40^{\circ}C \sim +130^{\circ}C$

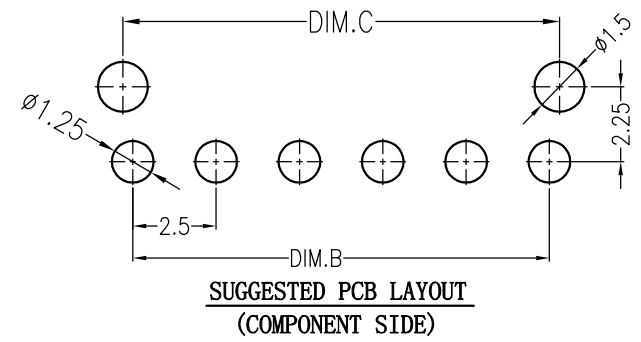


Circuit	Dimensions (mm)		
	DIM. A	DIM. B	DIM. C
02	5.00	2.50	3.10
03	7.50	5.00	5.60
04	10.00	7.50	8.10
05	12.50	10.00	10.60
06	15.00	12.50	13.10

### ORDER INFORMATION:

**L017A-\*\*-F2MA-P-A**

PART No.:		SPECIAL CODE:	
No. FOR CIRCUITS:		A=针外露7.5	
02~06		PACKAGING:	P=PE
PLASTIC MATERIAL:		PLATING:	A=Sn
F2M=LCP (BEIGE)			



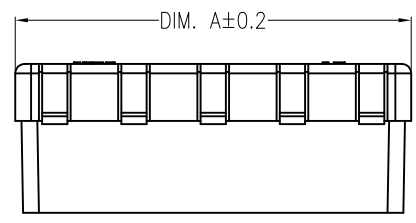
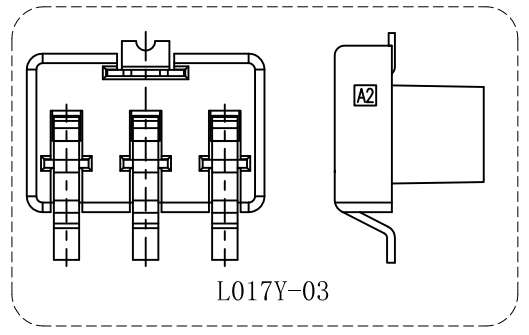
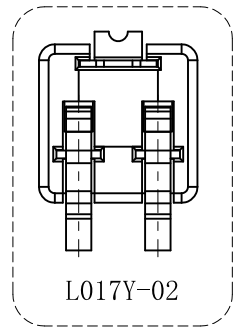
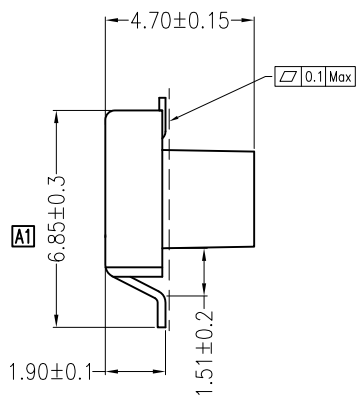
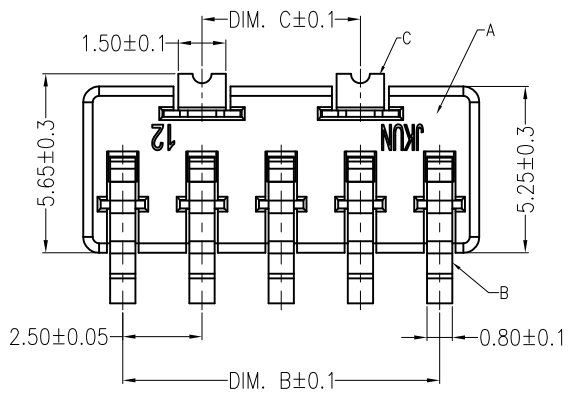
ITEM	COMPONENT	Q'TY	MATERIAL	FINISH
C				
B	CONTACT	6 PCS	Brass	Sn-plated
A	PEDESTAL	1 PCS	LCP	UL 94V-0, COLOR:BEIGE

**东莞市高迪电子有限公司**  
DONG GUAN GAO DI ELECTRONICS CO., LTD

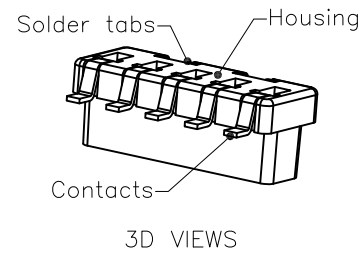
TITLE: -  
2.5mmPITCH 90°WAFER SMT TYPE

X.±0.5	X.±5'	USE: CUSTOMER	PART NO.: L017A-**-F2MA-P-A
.X±0.3	.X±2'		
.XX±0.25	.XX±1'	CHKD: 田峰	DWG NO.: GCCP-0033
--	--	DR: 吴丹平	SCALE 1 : 1
UNITS: mm			SHEET 1 / 1

REV	DESCRIPTION	DESIGN	DATE
A0	NEW RELEASE	Wudanping	2016/04/30
A1	Change the size	Jiangjianyin	2018/05/25
A2	Change the position of 3 holes LOGO	Fangsongle	2020/07/08

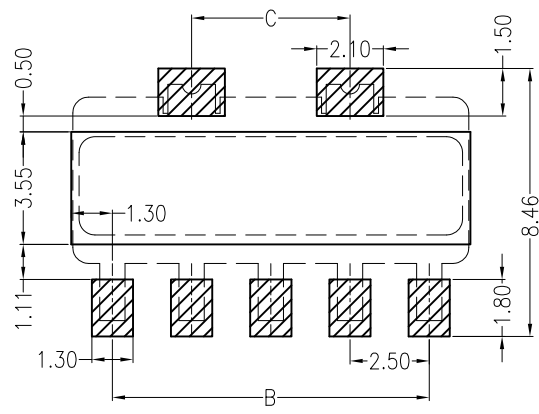


Circuit	Dimensions (mm)		
	DIM. A	DIM. B	DIM. C
L017Y-02	5.00	2.50	
L017Y-03	7.50	5.00	
L017Y-04	10.00	7.50	5.00
L017Y-05	12.50	10.00	5.00
L017Y-06	15.00	12.50	5.00

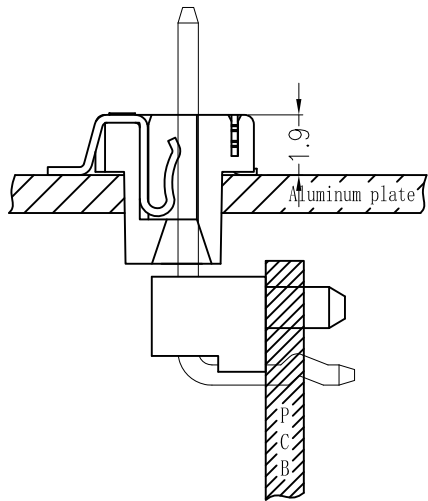


**Specifications:**

- Contact resistance:  $\leq 20m\Omega$
- Insulation resistance:  $\geq 1000M\Omega$
- Rated voltage: 125V AC DC
- Rated current: 1.0A AC DC
- Withstand voltage: 1000V AC/minute
- Temperature range:  $-40^{\circ}C \sim +130^{\circ}C$
- Housing: LCP UL94V-0, Natural
- Contacts: Phosphor bronze/Matte Sn
- Solder tabs: Phosphor bronze/Matte Sn

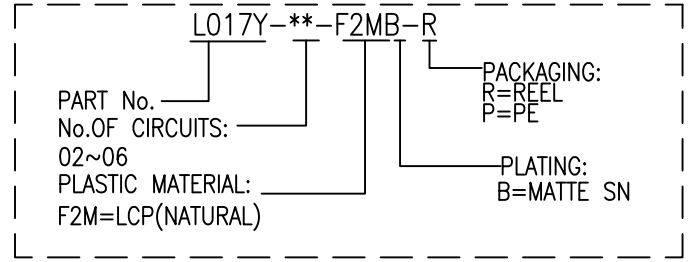


SUGGESTED PCB LAYOUT



Assembly Layout

**ORDER INFORMATION:**



**東莞市高迪電子有限公司**  
DONG GUAN GAO DI ELECTRONICS CO., LTD

TITLE: 2.5mmPITCH 180°WAFER SMT TYPE

GENERAL TOLERANCE		USE:	PART NO.:
X. $\pm 0.50$	X. $\pm 5^{\circ}$	CUSTOMER	L017Y-**-F2MB-R
X.X $\pm 0.30$	X.X $\pm 2^{\circ}$	APPD: Shaojinghe	DWG NO.:
X.XX $\pm 0.20$	X.XX $\pm 1^{\circ}$	CHKD: Zenglingqing	GCKH-0034
UNITS: mm		DR: Jiangjianyin	SCALE: 1 : 1
			SHEET: 1 / 1